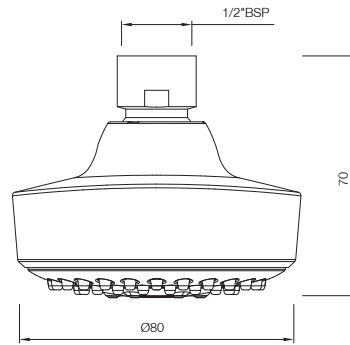


PRODUCT IMAGE



TECHNICAL DRAWING



PRODUCT DETAILS

Description	Single Function 80mm dia Round Shape Overhead Shower
Product Code	EOS-CHR-1985
Connection Size (mm)	N.A
Aerator Size	N.A
Flow Rate	20.07 LPM @ 3 bar
Flow Regulator	By using flow regulators + Brass Housing (Product should be ordered with suffix as GA-6.0 LPM, GB-8.0 LPM, & GC-12.0 LPM @ 3.0 Bar pressure) one can regulate the flow rate
Recommended Water Pressure	1.0 Bar - 3.0 Bar
Material Composition Specification in Percentage	Brass Rod as per IS:319-1989- Cu (56.0-59.0), Pb (2.0-3.5), Fe (0.0-0.35), Total Impurity (0.0-0.7), Zn (Remainder) ABS Specification- Specific Gravity g/cm ² (1.06-1.10), Melt Mass Flow Rate g/10 min. (20-26), Rockwell Hardness (95-115), DTUL @ 66 psi /0.45 MPa 0C (78-102)
Technology	Advanced Rubit- Lime scale deposits sticking to the shower face can be easily rubbed off by hand or flannel
Mount Type	Wall Mounting
Spray Modes	Single Function
Finish	Salt Spray (200 hrs+Validated), Adhesion (Pass)
Available Colour Finishing	Chrome (CHR)

DISCLAIMER: Our every effort has been made to ensure factual accuracy, the information presented subject to changes due to requirements in different sites, markets and/ or countries.110% variation in flow rate may be possible. Jaquar reserves the right to make the necessary amendments at any time without prior notice.